

Tube clamps kit for twin series DIN 3015-3

Technopolymer (polypropylene) and steel

STANDARD COMPONENTS

- **DCE-D**: DIN 3015-3 double series tube clamp in polypropylene-based technopolymer (PP), high UV resistance, RAL 9005 black colour.
- **DCE-PU**: zinc-plated cover plate.
- **DCE-PL**: welded lower plate in phosphated steel.
- **DCE-SRE**: hexagon head screw in zinc-plated steel.
- **DCE-WA**: flat washer in zinc-plated steel.
- **DCE-GU**: zinc-plated steel mounting guide.
- **DCE-NTG**: nut for zinc-plated steel mounting guide.

FEATURES AND APPLICATIONS

The different KIT configurations obtainable from the DCE-D collar body allow the parallel locking of rigid tubes or flexible cables in a safe manner, reducing vibrations and noise.

The DIN 3015-3 standard defines the technical, dimensional and material requirements for the creation of a fastening system suitable for multiple applications.

In particular, the DIN regulation defines specific reference groups based on the overall dimensions of the collar bodies.

The table shows the correspondence between the DIN 3015-3 groups and the corresponding DCE-D groups.

The special internal knurling of the two half clamps enables a high level of grip between the clamp and the tube, thus ensuring high stability.

They are used both in industrial hydraulics as a fastening system for the construction of rigid pipes (liquids or gases) and in mobile hydraulics (material handling machines, agricultural vehicles) for the construction of hydraulic or pneumatic systems.

Assembly of the clamp kit starts from the bottom; the DCE-PL welding plate represents the base where the bottom half-collar rests, then the pipe (or hose) is inserted and the top half-collar is overlapped. If a fixed solution is not necessary, it is possible to use DCE-NTG fixing nuts instead of the plate. These make it possible, if positioned on the DCE-GU guide, to move the kit along the guide to adjust its position during the positioning phase.

To tighten the collar, it is possible to use the DCE-PU cover plate together with the DCE-SRE hexagon head screws or, if the top plate is not necessary, it is recommended to use the SRE hexagon head screws and the DCE-WA washer.

See Tube clamps technical data.



STANDARD COMPONENTS TABLE

DCK-D	-	1	-	6	-	6	-	SRE	-	WA	-	PL	-	PP	-	C9
		①		②		②		③		④		⑤				

DIN 3015-3 group	1	2	3	4	5
① Group DCE-D	1	2	3	4	5

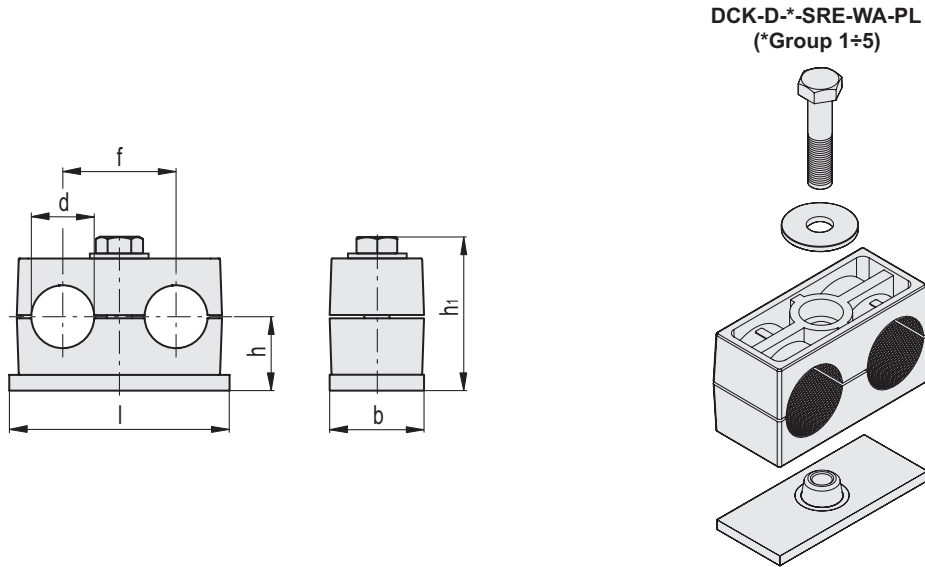
③ Screw	SRE*	Hexagon head screw, zinc-plated steel
---------	------	---------------------------------------

④ Top part	WA	Flat washer, zinc-plated steel
	PU	Top plate, zinc-plated steel

② Diameter of the tube	6	12	19	26.9	32
	6.4	12.7	20	28	33.7
	8	13.5	21.3	30	35
	9.5	14	22		38
	10	15	23		42.4
	12	16	24		
	12.7	17.2	25		
		18	25.4		

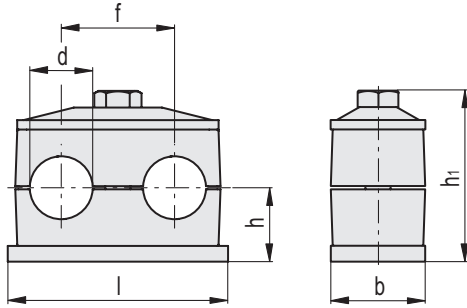
⑤ Bottom part	PL	Bottom plate to be welded, phosphated steel
	NTG	Nut for mounting guide, zinc-plated steel

*SRE-WA-NTG configuration not compatible

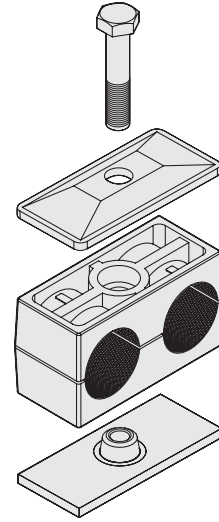


Code	Description	Group	b	d	d Tube [GAS]	f	l	h	hi	
571691-C9	DCK-D-1-6-6-SRE-WA-PL-PP-C9	1	30	6	-	20	37	16.5	36	60
571693-C9	DCK-D-1-6.4-6.4-SRE-WA-PL-PP-C9	1	30	6.4	1/4	20	37	16.5	36	58
571695-C9	DCK-D-1-8-8-SRE-WA-PL-PP-C9	1	30	8	5/16	20	37	16.5	36	59
571697-C9	DCK-D-1-9.5-9.5-SRE-WA-PL-PP-C9	1	30	9.5	3/8	20	37	16.5	36	58
571699-C9	DCK-D-1-10-10-SRE-WA-PL-PP-C9	1	30	10	-	20	37	16.5	36	74
571701-C9	DCK-D-1-12-12-SRE-WA-PL-PP-C9	1	30	12	-	20	37	16.5	36	54
571703-C9	DCK-D-1-12.7-12.7-SRE-WA-PL-PP-C9	1	30	12.7	1/2	20	37	16.5	36	55
571711-C9	DCK-D-2-12-12-SRE-WA-PL-PP-C9	2	30	12	-	29	55	18.5	38	108
571713-C9	DCK-D-2-12.7-12.7-SRE-WA-PL-PP-C9	2	30	12.7	1/2	29	55	18.5	38	109
571715-C9	DCK-D-2-13.5-13.5-SRE-WA-PL-PP-C9	2	30	13.5	-	29	55	18.5	38	111
571717-C9	DCK-D-2-14-14-SRE-WA-PL-PP-C9	2	30	14	-	29	55	18.5	38	108
571719-C9	DCK-D-2-15-15-SRE-WA-PL-PP-C9	2	30	15	-	29	55	18.5	38	107
571721-C9	DCK-D-2-16-16-SRE-WA-PL-PP-C9	2	30	16	5/8	29	55	18.5	38	105
571723-C9	DCK-D-2-17.2-17.2-SRE-WA-PL-PP-C9	2	30	17.2	-	29	55	18.5	38	104
571725-C9	DCK-D-2-18-18-SRE-WA-PL-PP-C9	2	30	18	-	29	55	18.5	38	103
571731-C9	DCK-D-3-19-19-SRE-WA-PL-PP-C9	3	30	19	3/4	36	70	23.5	48	142
571733-C9	DCK-D-3-20-20-SRE-WA-PL-PP-C9	3	30	20	-	36	70	23.5	48	141
571735-C9	DCK-D-3-21.3-21.3-SRE-WA-PL-PP-C9	3	30	21.3	-	36	70	23.5	48	139
571737-C9	DCK-D-3-22-22-SRE-WA-PL-PP-C9	3	30	22	7/8	36	70	23.5	48	137
571739-C9	DCK-D-3-23-23-SRE-WA-PL-PP-C9	3	30	23	-	36	70	23.5	48	136
571741-C9	DCK-D-3-24-24-SRE-WA-PL-PP-C9	3	30	24	-	36	70	23.5	48	139
571743-C9	DCK-D-3-25-25-SRE-WA-PL-PP-C9	3	30	25	-	36	70	23.5	48	132
571745-C9	DCK-D-3-25.4-25.4-SRE-WA-PL-PP-C9	3	30	25.4	1	36	70	23.5	48	132
571751-C9	DCK-D-4-26.9-26.9-SRE-WA-PL-PP-C9	4	30	26.9	-	45	85	26	53	170
571753-C9	DCK-D-4-28-28-SRE-WA-PL-PP-C9	4	30	28	-	45	85	26	53	167
571755-C9	DCK-D-4-30-30-SRE-WA-PL-PP-C9	4	30	30	-	45	85	26	53	163
571761-C9	DCK-D-5-32-32-SRE-WA-PL-PP-C9	5	30	32	1 1/4	56	110	31.5	64	206
571763-C9	DCK-D-5-33.7-33.7-SRE-WA-PL-PP-C9	5	30	33.7	-	56	110	31.5	64	202
571765-C9	DCK-D-5-35-35-SRE-WA-PL-PP-C9	5	30	35	-	56	110	31.5	64	199
571767-C9	DCK-D-5-38-38-SRE-WA-PL-PP-C9	5	30	38	1 1/2	56	110	31.5	64	191
571769-C9	DCK-D-5-42.4-42.4-SRE-WA-PL-PP-C9	5	30	42.4	-	56	110	31.5	64	179



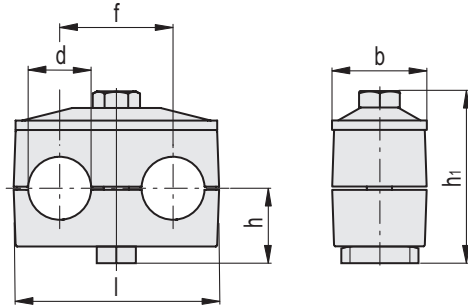


DCK-D*-SRE-PU-PL
(*Group 1+5)

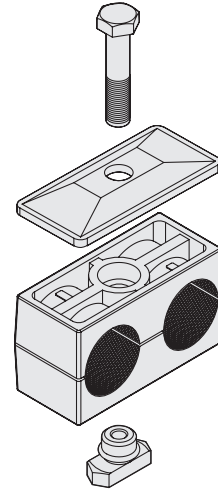


Code	Description	Group	b	d	d Tube [GAS]	f	l	h	h1	⚖
571781-C9	DCK-D-1-6-6-SRE-PU-PL-PP-C9	1	30	6	-	20	37	16.5	41	79
571783-C9	DCK-D-1-6.4-6.4-SRE-PU-PL-PP-C9	1	30	6.4	1/4	20	37	16.5	41	77
571785-C9	DCK-D-1-8-8-SRE-PU-PL-PP-C9	1	30	8	5/16	20	37	16.5	41	78
571787-C9	DCK-D-1-9.5-9.5-SRE-PU-PL-PP-C9	1	30	9.5	3/8	20	37	16.5	41	77
571789-C9	DCK-D-1-10-10-SRE-PU-PL-PP-C9	1	30	10	-	20	37	16.5	41	93
571791-C9	DCK-D-1-12-12-SRE-PU-PL-PP-C9	1	30	12	-	20	37	16.5	41	73
571793-C9	DCK-D-1-12.7-12.7-SRE-PU-PL-PP-C9	1	30	12.7	1/2	20	37	16.5	41	74
571801-C9	DCK-D-2-12-12-SRE-PU-PL-PP-C9	2	30	12	-	29	55	18.5	43	140
571803-C9	DCK-D-2-12.7-12.7-SRE-PU-PL-PP-C9	2	30	12.7	1/2	29	55	18.5	43	141
571805-C9	DCK-D-2-13.5-13.5-SRE-PU-PL-PP-C9	2	30	13.5	-	29	55	18.5	43	143
571807-C9	DCK-D-2-14-14-SRE-PU-PL-PP-C9	2	30	14	-	29	55	18.5	43	140
571809-C9	DCK-D-2-15-15-SRE-PU-PL-PP-C9	2	30	15	-	29	55	18.5	43	139
571811-C9	DCK-D-2-16-16-SRE-PU-PL-PP-C9	2	30	16	5/8	29	55	18.5	43	137
571813-C9	DCK-D-2-17.2-17.2-SRE-PU-PL-PP-C9	2	30	17.2	-	29	55	18.5	43	136
571815-C9	DCK-D-2-18-18-SRE-PU-PL-PP-C9	2	30	18	-	29	55	18.5	43	135
571821-C9	DCK-D-3-19-19-SRE-PU-PL-PP-C9	3	30	19	3/4	36	70	23.5	53	182
571823-C9	DCK-D-3-20-20-SRE-PU-PL-PP-C9	3	30	20	-	36	70	23.5	53	181
571825-C9	DCK-D-3-21.3-21.3-SRE-PU-PL-PP-C9	3	30	21.3	-	36	70	23.5	53	178
571827-C9	DCK-D-3-22-22-SRE-PU-PL-PP-C9	3	30	22	7/8	36	70	23.5	53	177
571829-C9	DCK-D-3-23-23-SRE-PU-PL-PP-C9	3	30	23	-	36	70	23.5	53	176
571831-C9	DCK-D-3-24-24-SRE-PU-PL-PP-C9	3	30	24	-	36	70	23.5	53	178
571833-C9	DCK-D-3-25-25-SRE-PU-PL-PP-C9	3	30	25	-	36	70	23.5	53	172
571835-C9	DCK-D-3-25.4-25.4-SRE-PU-PL-PP-C9	3	30	25.4	1	36	70	23.5	53	172
571841-C9	DCK-D-4-26.9-26.9-SRE-PU-PL-PP-C9	4	30	26.9	-	45	85	26	58	221
571843-C9	DCK-D-4-28-28-SRE-PU-PL-PP-C9	4	30	28	-	45	85	26	58	218
571845-C9	DCK-D-4-30-30-SRE-PU-PL-PP-C9	4	30	30	-	45	85	26	58	214
571851-C9	DCK-D-5-32-32-SRE-PU-PL-PP-C9	5	30	32	1 1/4	56	110	31.5	69	275
571853-C9	DCK-D-5-33.7-33.7-SRE-PU-PL-PP-C9	5	30	33.7	-	56	110	31.5	69	271
571855-C9	DCK-D-5-35-35-SRE-PU-PL-PP-C9	5	30	35	-	56	110	31.5	69	268
571857-C9	DCK-D-5-38-38-SRE-PU-PL-PP-C9	5	30	38	1 1/2	56	110	31.5	69	260
571859-C9	DCK-D-5-42.4-42.4-SRE-PU-PL-PP-C9	5	30	42.4	-	56	110	31.5	69	248

Accessories for hydraulic systems 15



DCK-D*-SRE-PU-NTG
(*Group 1÷5)



Code	Description	Group	b	d	d Tube [GAS]	f	l	h	h1	⚖
571871-C9	DCK-D-1-6-6-SRE-PU-NTG-PP-C9	1	30	6	-	20	36	19	43.5	62
571873-C9	DCK-D-1-6.4-6.4-SRE-PU-NTG-PP-C9	1	30	6.4	1/4	20	36	19	43.5	60
571875-C9	DCK-D-1-8-8-SRE-PU-NTG-PP-C9	1	30	8	5/16	20	36	19	43.5	61
571877-C9	DCK-D-1-9.5-9.5-SRE-PU-NTG-PP-C9	1	30	9.5	3/8	20	36	19	43.5	60
571879-C9	DCK-D-1-10-10-SRE-PU-NTG-PP-C9	1	30	10	-	20	36	19	43.5	75
571881-C9	DCK-D-1-12-12-SRE-PU-NTG-PP-C9	1	30	12	-	20	36	19	43.5	56
571883-C9	DCK-D-1-12.7-12.7-SRE-PU-NTG-PP-C9	1	30	12.7	1/2	20	36	19	43.5	57
571891-C9	DCK-D-2-12-12-SRE-PU-NTG-PP-C9	2	30	12	-	29	53	19	43.5	86
571893-C9	DCK-D-2-12.7-12.7-SRE-PU-NTG-PP-C9	2	30	12.7	1/2	29	53	19	43.5	86
571895-C9	DCK-D-2-13.5-13.5-SRE-PU-NTG-PP-C9	2	30	13.5	-	29	53	19	43.5	88
571897-C9	DCK-D-2-14-14-SRE-PU-NTG-PP-C9	2	30	14	-	29	53	19	43.5	85
571899-C9	DCK-D-2-15-15-SRE-PU-NTG-PP-C9	2	30	15	-	29	53	19	43.5	84
571901-C9	DCK-D-2-16-16-SRE-PU-NTG-PP-C9	2	30	16	5/8	29	53	19	43.5	83
571903-C9	DCK-D-2-17.2-17.2-SRE-PU-NTG-PP-C9	2	30	17.2	-	29	53	19	43.5	82
571905-C9	DCK-D-2-18-18-SRE-PU-NTG-PP-C9	2	30	18	-	29	53	19	43.5	81
571911-C9	DCK-D-3-19-19-SRE-PU-NTG-PP-C9	3	30	19	3/4	36	67	24	53.5	111
571913-C9	DCK-D-3-20-20-SRE-PU-NTG-PP-C9	3	30	20	-	36	67	24	53.5	109
571915-C9	DCK-D-3-21.3-21.3-SRE-PU-NTG-PP-C9	3	30	21.3	-	36	67	24	53.5	107
571917-C9	DCK-D-3-22-22-SRE-PU-NTG-PP-C9	3	30	22	7/8	36	67	24	53.5	105
571919-C9	DCK-D-3-23-23-SRE-PU-NTG-PP-C9	3	30	23	-	36	67	24	53.5	104
571921-C9	DCK-D-3-24-24-SRE-PU-NTG-PP-C9	3	30	24	-	36	67	24	53.5	107
571923-C9	DCK-D-3-25-25-SRE-PU-NTG-PP-C9	3	30	25	-	36	67	24	53.5	100
571925-C9	DCK-D-3-25.4-25.4-SRE-PU-NTG-PP-C9	3	30	25.4	1	36	67	24	53.5	100
571931-C9	DCK-D-4-26.9-26.9-SRE-PU-NTG-PP-C9	4	30	26.9	-	45	81	26.5	58.5	133
571933-C9	DCK-D-4-28-28-SRE-PU-NTG-PP-C9	4	30	28	-	45	81	26.5	58.5	130
571935-C9	DCK-D-4-30-30-SRE-PU-NTG-PP-C9	4	30	30	-	45	81	26.5	58.5	125
571941-C9	DCK-D-5-32-32-SRE-PU-NTG-PP-C9	5	30	32	1 1/4	56	106	32	69.5	186
571943-C9	DCK-D-5-33.7-33.7-SRE-PU-NTG-PP-C9	5	30	33.7	-	56	106	32	69.5	182
571945-C9	DCK-D-5-35-35-SRE-PU-NTG-PP-C9	5	30	35	-	56	106	32	69.5	180
571947-C9	DCK-D-5-38-38-SRE-PU-NTG-PP-C9	5	30	38	1 1/2	56	106	32	69.5	171
571949-C9	DCK-D-5-42.4-42.4-SRE-PU-NTG-PP-C9	5	30	42.4	-	56	106	32	69.5	159



Accessories for hydraulic systems 15